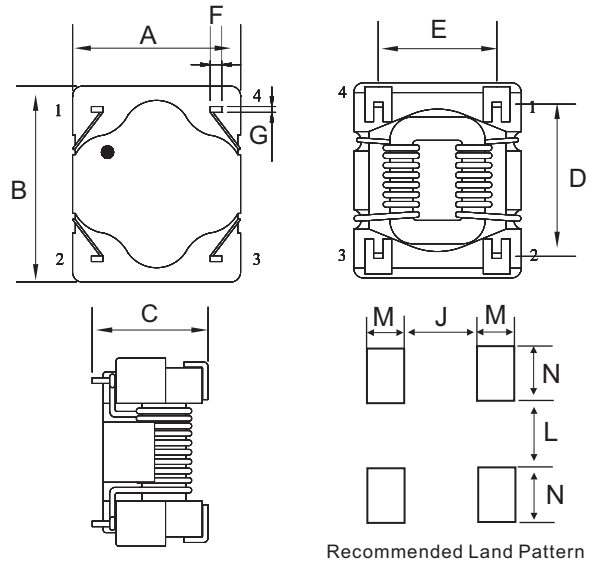


SMD Common Mode Chokes



Dimensions and Footprint (Unit:mm)

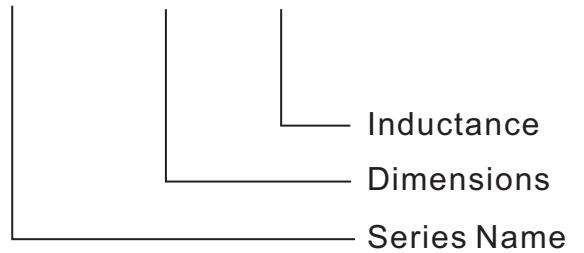
Type	A	B	C	D	E	G	F	J	L	M	N
CSC1008	8.7±0.3	10±0.3	6.5 Max.	7.62±0.2	6.22±0.2	0.3 Ref.	0.6 Ref.	3.52	4.92	2.7	2.7

Description

- Miniature high current SMD type common mode filter for fully automated assembly.
- High Impedance and Large current.
- Storage temperature range:-40°C to +105°C.
- SMD Common Mode Line Filter.
- Operating temperaturerange:-40°C to +125°C.

Part Number Code

CSC 1008- 100



CSC1008				
P/N	L(100KHz,0.1V) (uH)Ref.	Leakage Inductance (100KHz,0.1V) (uH)Max. Pin1-2,Shorted Pin4-3	DCR(Max.) (mΩ)	IDC(Max.) (A)
CSC1008-101	100±40%	1.5	22	5.0
CSC1008-121	120±40%	1.5	25	4.5
CSC1008-181	180±40%	2.0	25	4.0
CSC1008-221	220±40%	2.0	32	3.5
CSC1008-251	250±40%	2.5	35	3.2
CSC1008-301	300±40%	3.0	45	2.0
CSC1008-401	400±40%	3.5	60	2.8
CSC1008-451	450±40%	4.0	65	2.5
CSC1008-471	470±40%	4.0	120	2.0
CSC1008-102	1000±40%	15	180	0.95
CSC1008-332	3300±40%	~	360	0.65